

mbx

Local CI/CD for CloudStack

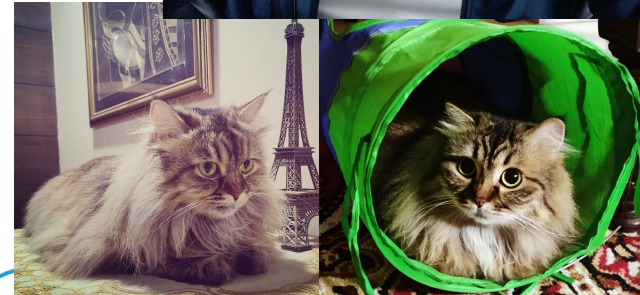
Rohit Yadav

Principal Engineer, ShapeBlue

rohit.yadav@shapeblue.com

\$ whoami: Rohit Yadav

- **Principal Engineer @ ShapeBlue**
- From Gurugram, India
- Background:
 - 9+ years CloudStack Committer and PMC
 - RM and maintainer for several releases
 - Specialize in design and architecture, development work, framework/plugins, tooling; leadership, mentoring, training
 - Author of several flagship features and tools
 - CloudStack ARM64/RaspberryPi maintainer
 - Love cats 🐱 and programming



Topics

- What is mbx?
- Story
- Design & Implementation
- How it works
- Demo!



What is mbx?

`mbx` is a CI/CD tool that allows building of CloudStack packages, deployment of Dev/QA environments and running of smoke tests.

But Why?

We've Travis, Trillian/BO - all's well, why another tool?

There's a story... but first, some history!

History

- (1st Gen) BVT (marvin/XenServer based, dogfood on phy servers) <https://cwiki.apache.org/confluence/display/CLOUDSTACK/Automated+Tests+Rules+and+Guidelines>
- (1st Gen) DevCloud (on VirtualBox, runs XenServer) <https://cwiki.apache.org/confluence/display/CLOUDSTACK/DevCloud>
- (1st Gen) DevCloud-kvm (on KVM, runs KVM) <https://cwiki.apache.org/confluence/display/CLOUDSTACK/devcloud-kvm>
- (2nd Gen) Jenkins/Travis: Checks PR (runs Simulator) <https://app.travis-ci.com/apache/cloudstack>
- (3rd Gen) Trillian + BO: General-purpose CI/CD (on vSphere, runs *) <https://github.com/shapeblue/Trillian>
- (3rd Gen) MonkeyBox (on KVM, runs *) <https://github.com/rhtyd/monkeybox>

How People do Dev & QA

Dev: (write/execute unit + marvin tests)

- Maven + Simulator (Developers)
- DevCloud / MonkeyBox / DIY nested-setup

QA: (execute unit + marvin tests)

- Travis (Simulator, Github + Pull requests)
- Trillian/BO (Github/PRs, tags), manual QA

Here Goes the story...

- Triggers:
 - Once lost London Lab due to hardware failure, tons of effort in re-creating the lab
 - Q1 '21: migrate/setup new Sofia Lab
- “Secret” backup plan B:
 - Limit 2 weeks: dev (Rohit), QA (Vladi)
 - (*didn't have to use it*)

Design & Implementation Goals

- Should take less effort to set up, automated if possible
- Should allow building CloudStack Packages
- Should allow “test matrix” env + run smoketests:
 - 1x CentOS 7 mgmt server
 - 2x hypervisor (KVM CentOS7, VMware 6.7u3, XenServer 7.1, XCP-ng 7.6/8.2)
 - NFS/local storage in Adv. Zone
- **Good to have:** runs on own hardware (laptop/desktop), VPN access to colleagues

`mbx`

mbx is 4th-Gen CI/CD tool that learns and iterates over all previous tools and allows to:

- Build CloudStack packages (CentOS 6/7/8, Ubuntu, Suse...)
- Launch Dev environments (1 x hypervisor host)
- Launch QA environments (1 x mgmt server host, 2 x hypervisor hosts)
- Runs marvin tests and gathers report
- Supports
 - Hypervisors: VMware, KVM, XenServer/XCP-ng
 - NFS, local storage
- Automatic VLAN, IP range allocation/management
- Dev/QA: deploy -> launch -> start/stop/destroy/test operations

mbx: What it's not

- Not meant to replace any existing tools
- Supplementary, for different use-cases:
 - Quick Dev-QA env
 - Distributed ACS CI/CD
 - Serve as backup in the event of Lab failure

mbx: who can use it?

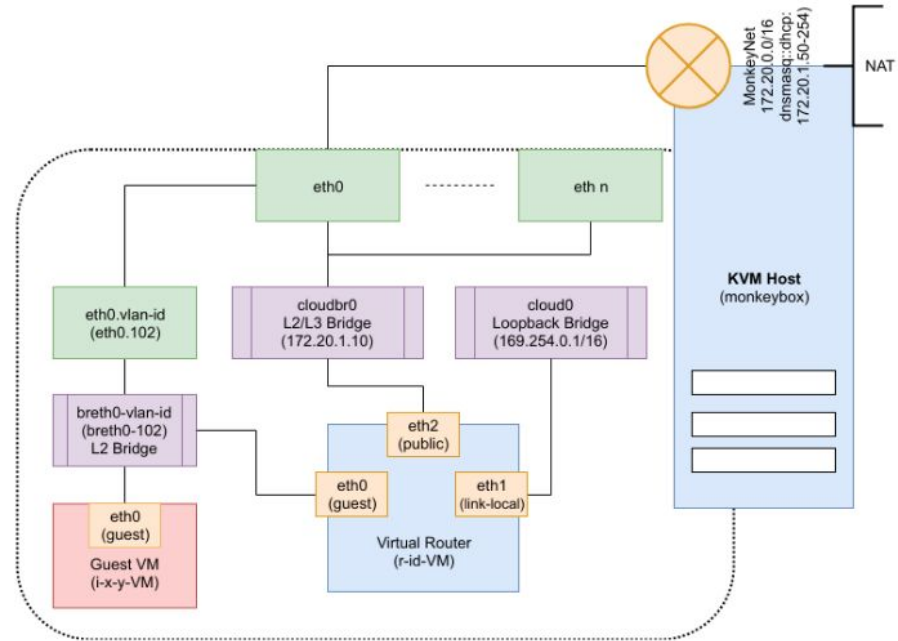
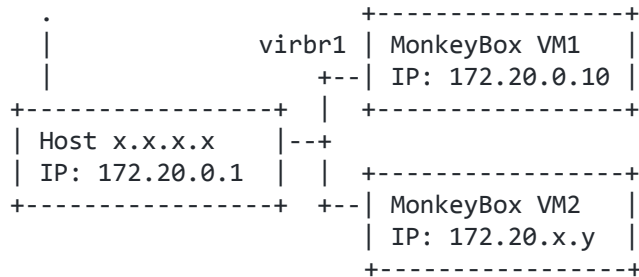
- Anyone starting out with CloudStack: Students, Junior Devs, User...
- Developers and QA
- Anyone needing a CI/CD or dev-test system for their ACS integration/testing
- Something that works out of the box, before they go with a custom/complex setup...

How mbx works

- Creates and uses a virtual NAT-ed host-only network in RFC1918 (172.20.0.1/16)
- Deploys nested env using DHCP-enabled VM/hypervisor templates
- Uses KVM hypervisor and NFS storage
- Uses docker for packaging only
- Optional: vpn support
- Fast, automated and set up under 30mins
- Hackable: ~500-1000 lines of code

Networking

External Network



Get `mbx` !

<https://github.com/shapeblue/mbx>

Requirements:

- x86_64 machine w/32GB RAM, w/4 Cores
- Host OS: Ubuntu 20.04/LTS (preferred) or CentOS7
- Storage: NFS
- Hypervisor: KVM/qemu (docker for packaging)

Demo!

> mbx

MonkeyBox 🐵 v0.2

Available commands are:

init: initialises monkeynet and mbx templates

package: builds packages from a git repo and sha/tag/branch

list: lists available environments

deploy: creates QA env with two monkeybox VMs and creates marvin cfg file

launch: launches QA env zone using environment's marvin cfg file

test: start marvin tests

dev: creates dev env with a single monkeybox VM and creates marvin cfg file

agentscp: updates KVM agent in dev environment using scp and restarts it

ssh: ssh into a mbx VM

stop: stop all env VMs

start: start all env VMs

destroy: destroy environment



Future

- Support other hypervisors (VMware fusion/workstation, VirtualBox) and platforms (Windows, Mac)
- Explore multi-machine setups
- Distributed community CI/CD system
- Revisit configuration limitation
- 100% smoketests pass
- In pipeline: 100% smoketests pass, support EL8, Ubuntu mbx mgmt server & KVM templates

Thanks | Q&A



@rhtyd | rohityadav.cloud